

PRODUCT NUMBER
76350-YXX-XXLF

WHEN REQUIRED, ADD SUFFIX LETTER "LF"
INDICATES THE PRODUCT IS RoHS COMPLIANT
& COMPATIBLE, SEE NOTE 8

TOTAL NB OF POSITIONS 04 TO 72

PIN STYLE SEE SHEET 2

PLATING:

1 = 0.76µm FULL GOLD/GXT, OVER 1.27µm Ni MIN

3 = 3.81µm FULL TIN/LEAD OVER 1.27µm Ni MIN.
WHEN "LF" IS REQUIRED, 2µm MATTE TIN OVER
1.27µm MIN NICKEL IS PROVIDED INSTEAD OF TIN-LEAD

8 = 0.38µm FULL GOLD/GXT, OVER 1.27µm Ni MIN

NOTES:

1. HOUSING MAT'L : HIGH TEMPERATURE THERMOPLASTIC
FLAME RETARDANT PER UL94-V0, COLOR BLACK.

2. PIN MATERIAL : PHOSPHOR BRONZE.

3. DIM 1.27^{+0.03}_{-0.13} FOR MOULDED SIDE(S)
ONLY. IF SIDE(S) ARE BROKEN, DIM 1.02
TO 1.7 MAX APPLIES.

4. PIN PUSH OUT FORCE : 12N MIN.

5. PRODUCT PACKAGED IN POLY BAGS.

6. TO DETERMINE DIMENSIONS :
N = NUMBER OF POSITIONS
EXAMPLE : 8 POS N x 2.54 = 20.32mm

7. FOR STANDARD SELECTIVE GOLD PLATED
PRODUCTS, SEE DRAWING 77317.

8. RoHS COMPATIBLE PRODUCT SPECIFICATIONS

a - SUFFIX "LF" IS ADDED JUST FOR EASY
LEADFREE IDENTIFICATION FOR PLATING VERSION 1 & 8.

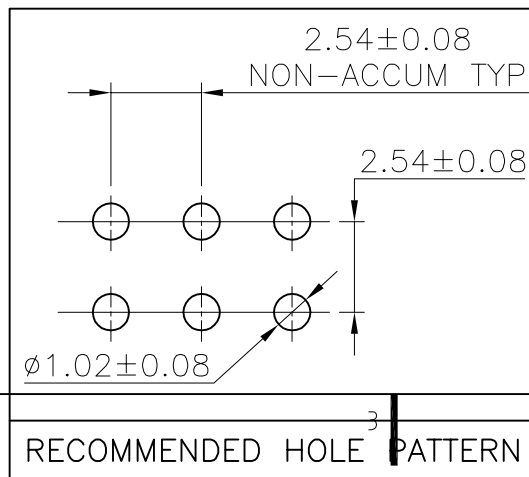
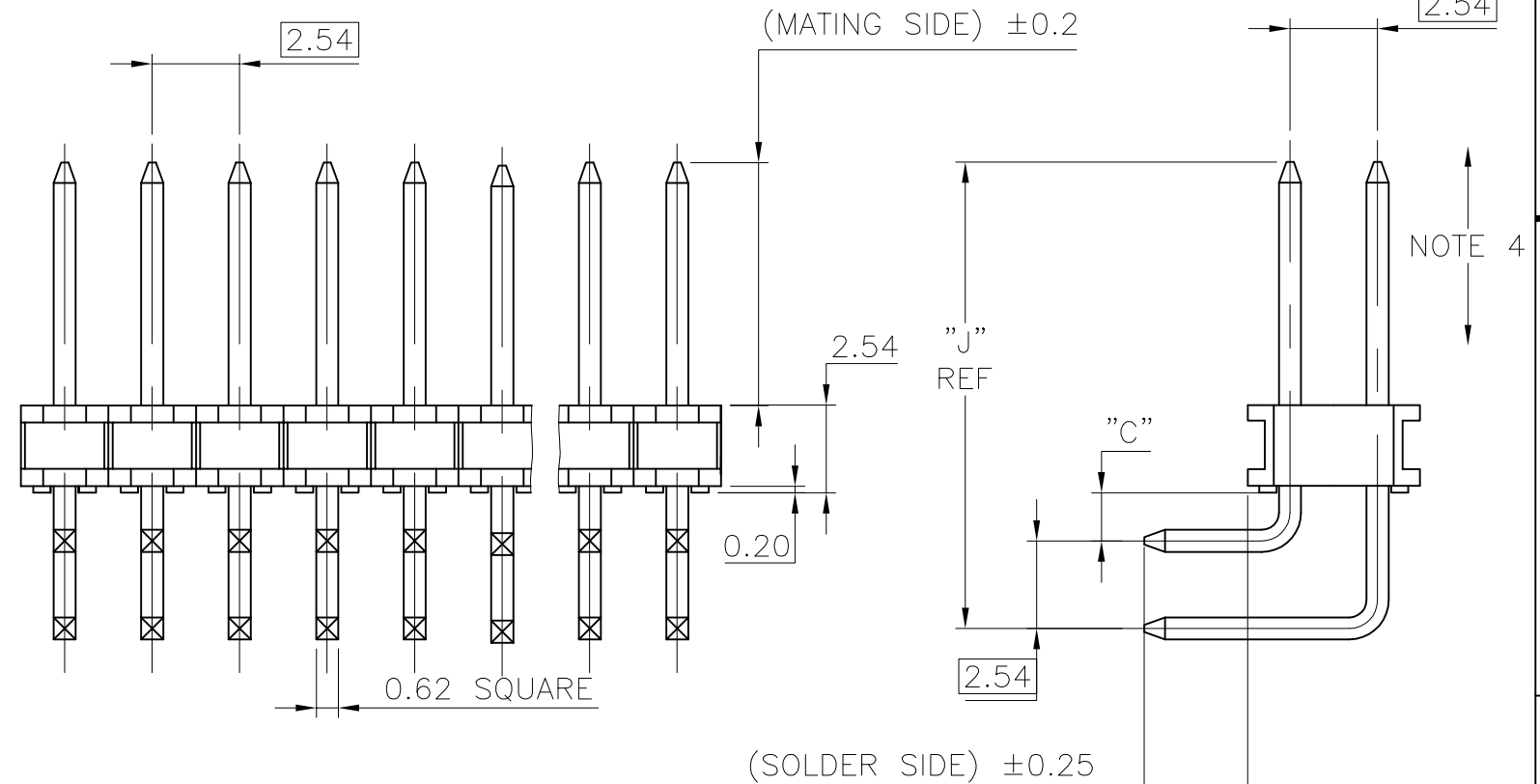
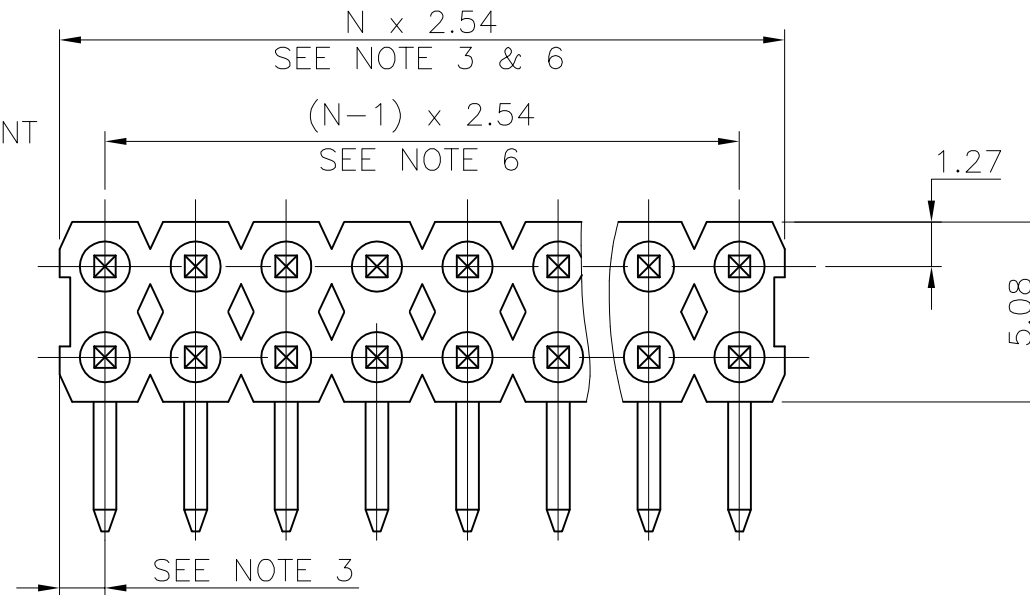
b - MANUFACTURING PROCESS COMPATIBILITY

- THE HOUSING WILL WITHSTAND EXPOSURE TO
260°C ±5°C SOLDER BATH TEMPERATURE FOR
5 SECONDS IN A WAVE SOLDER APPLICATION
WITH A 1.6mm MIN THICK CIRCUIT BOARD.

c - LABELING:

- MEETS PACKAGING SPECS AS PER GS-14-920

d - LEGAL STATEMENT: SEE GS-22-008



mat'l. code SEE NOTES		surface ISO 1302 ✓	tolerance ISO 406 ISO 1101	projection mm	product family BERGSTIK
ltr	ecn no	dr	date	tolerances unless otherwise specified	title HEADER RA,DR 2.54mm
AH	F06-0207	LMU	06.07.27	angles linear .X ±0.3	dwg no 76350
AJ	F08-0148	JCO	08.05.27	.XX ±0.15 .XXX ±0.05	
AD	F20116	DLE	02.01.17	dr G LEOTY 95.08.26	type CUSTOMER Drawing
AE	F20149	DLE	02.02.19	engr COMPAGNON J 95.08.26	
AF	F03-0203	LMU	03.04.28	chr	
AG	F02-0186	LMU	05.06.09	appd JMC 95.08.26	
sheet index	revision sheet	AJ	AG		
		1	2		

APPLICATION SPECIFIC					
PIN	STYLE	MATING	SOLDER	"C"	"J"
03		5.84	2.41	1.52	12.44
04		5.84	3.05	1.52	12.44
06		10.72	13.39	1.52	17.32
07		12.32	13.39	1.52	18.92
08		3.05	3.05	1.52	9.65
09		6.04	1.6	1.52	12.64
10		10.89	3.05	1.52	17.49
14		5.82	7.8	1.4	12.3
15		3.2	10	1.52	9.8
18		3.5	6.4	1.4	10
20		13	3.23	1.52	19.6
22		7.48	1.6	1.52	14.08



Copyright FCI

mat'l. code				surface ISO 1302 <input checked="" type="checkbox"/> ISO 406 ISO 1101		tolerance tolerances unless otherwise specified		projection 		product family BSTIK	
ltr	ecn no	dr	date	angles		linear		mm		title HEADER, DR, RA, 2.54 mm	
AA	F00135	DLE	00.02.23					scale		dwg no 76350	
AB	F00145	LMU	00.03.07							sheet 2 of - size A3	
AC	F00461	LMU	00.07.11							type CUSTOMER Drawing	
AD	F20116	DLE	02.01.17	dr	G LEOTY	95.08.26					
AE	F03-0203	LMU	03.04.28	enr	COMPAGNON J	95.08.26					
AF	F05-0186	LMU	05.06.09	chr							
AG	F06-0207	LMU	06.07.27	appd	JMC	95.08.26					
sheet index	revision sheet										